



# itaca

A Quality Vision International Company



## ITACA FlexGauge C-35

The Itaca FlexGauge offers an industrialized and rugged alternative to custom gauging solutions. C-Models are specially tailored for medium to large sized precision parts such as gears, valve bodies, turbine blades, shafts, racks and ballscrews.

With the stability of a granite support structure and Ceramic, Glass or Laser scales, FlexGauge C-Models are equally at home on the manufacturing floor or in the quality control laboratory.

- High Speed Probing
- Touch-Trigger or Scanning Probe
- Shop Floor Friendly with Built-In Thermal Compensation
- Flexible Software

### High Accuracy Shop Floor 3D Gauging Solution

	X	Y	Z
Travel (mm)	350	200	250



# ITACA FlexGauge C-35

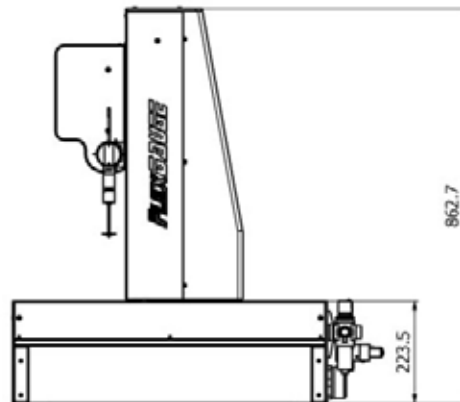
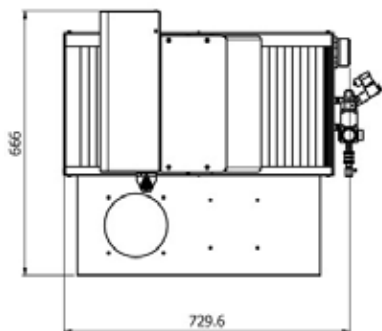
## Metrology Software:

- ITACA TANGRAM

Uncrated: 130 kg  
 Crated: 195 kg  
 \*System weight (without computer)

## Available Optional Software Modules:

- SmartProfile
- Smart Report
- iGear



	Standard	Optional	
<b>X,Y,Z Travel (mm)</b>	350 x 200 x 250		
<b>X,Y,Z Scale Resolution</b>	0.5 µm	0.1 µm + temperature invariant	
<b>Stage Drive System</b>	DC Servo Drives XY&Z		
<b>Max Velocity</b>	700mm/sec		
<b>Max Recommended Load</b>	25 kg		
<b>Probe Configurations</b>	Single TP-20	Probe support arm - configured for the application	Dual Probe Arm
			TP-200 Touch Probe
			SP-25 Scanning Probe
			Star Probe
			Docking Station
<b>System Controller</b>	Quad core processor, Windows® 7 Operating System and on-board networking and communication ports		
<b>Controller Accessory Package</b>	Multi-function hand controller including 3-axis joystick for manual stage control, with E-stop and start buttons.	Single LCD flat panel display, computer keyboard and mouse. Dual LCD flat panel displays, computer keyboard and mouse.	
<b>Power Requirements</b>	115/230 vac, 50/60 HZ 1-phase 700W		
<b>Air Requirements</b>	Clean, dry air at 5.52 bar per min, 4.05 SLPM flowrate		
<b>Rated Environment</b> <sup>1,2,3</sup>	Temperature 15-35°C, 30-80% humidity; vibration <0.0015g below 15Hz	15-40°C (4°C/hour rate of change)	
<b>Accuracy (at 20°C)</b>	MPE <sub>g</sub> : 1.0 + L/300µm; Max: 1.5µm (with TP20); MPE <sub>p</sub> : 1.2µm (with SP25)		
<b>Notes:</b> All specifications apply to a thermally stable machine and a certified artifact at 20°C and part compensation	1. Maximum rate of temperature change: 2° C/Hour   2. Maximum vertical temperature gradient: 1° C/Meter   3. Based on ISO 10360 Standards		



North America  
 QVI Rochester  
 Custom Engineering Group  
 850 Hudson Ave  
 Rochester, NY 14621  
 Phone: (585) 544-0450  
 info@itaca-gauge.com  
 www.itaca-gauge.com

Asia  
 QVI Tempe  
 1711 West 17th Street  
 Tempe, AZ 85281  
 Phone: (480) 295-3150  
 info@itaca-gauge.com  
 www.itaca-gauge.com

Europe  
 ITACA Development Center  
 Via Genova 23,  
 10098 Rivoli (TO) - Italy  
 Phone: +39 011 95 74 384  
 info@itaca-gauge.com  
 www.itaca-gauge.com

