



itaca

A Quality Vision International Company

ITACA FlexGauge T-16/T-22

High Accuracy Shop Floor 3D Gauging Solution

The Itaca FlexGauge offers an industrialized and rugged alternative to custom gauging solutions. Specially tailored for small precision parts such as gears, valve bodies, c-v joints, racks and ballscrews.

With the stability of the granite structure and air bearing motion system, FlexGauge is equally at home on the manufacturing floor or in the quality control laboratory.

- Single or Dual Probe Configuration
- Touch-Trigger or Scanning Probe Options
- Shop Floor Friendly with Built-In Thermal Compensation
- Flexible Software

	X	Y	Z
Travel (mm) of T-16	160	100	160
Travel (mm) of T-22	220	160	220



ITACA FlexGauge T-16/T-22

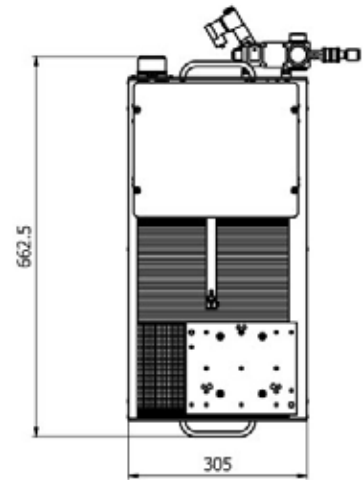
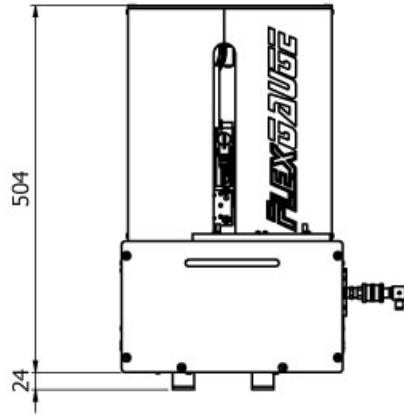
Metrology Software:

- ITACA TANGRAM

Uncrated: 48 kg
 Crated: 100 kg
 *System weight (without computer)

Available Optional Software Modules:

- SmartProfile
- Smart Report
- iGear



T-16 Model Shown

	Standard	Optional	
X,Y,Z Travel (mm)	160 x 100 x 160	220 x 160 x 220	
X,Y,Z Scale Resolution	0.5 μm	0.1 μm + temperature invariant	
Stage Drive System	DC Servo Drives XY&Z		
Max Velocity	550mm/sec		
Max Recommended Load	7 kg		
Probe Configurations	Single TP-20	Probe support arm - configured for the application	Dual Probe Arm
			TP-200 Touch Probe
			SP-25 Scanning Probe
			Star Probe
			Docking Station
System Controller	Quad core processor, Windows® 7 Operating System and on-board networking and communication ports		
Controller Accessory Package	Multi-function hand controller including 3-axis joystick for manual stage control, with E-stop and start buttons.	Single LCD flat panel display, computer keyboard and mouse. Dual LCD flat panel displays, computer keyboard and mouse.	
Power Requirements	115/230 vac, 50/60 HZ 1-phase 700W		
Air Requirements	Clean, dry air at 5.52 bar per min, 4.05 SLPM flowrate		
Rated Environment ^{1,2,3}	Temperature 15-35°C, 30-80% humidity; vibration <0.0015g below 15Hz	15-40°C (4°C/hour rate of change)	
Accuracy (at 20°C)	MPE _e : 1.0 + L/300 μm ; Max: 1.5 μm (with TP20); MPE _p : 1.2 μm (with SP25)		
Notes: All specifications apply to a thermally stable machine and a certified artifact at 20°C and part compensation	1. Maximum rate of temperature change: 2° C/Hour 2. Maximum vertical temperature gradient: 1° C/Meter 3. Based on ISO 10360 Standards		



A Quality Vision International Company

North America
 QVI Rochester
 Custom Engineering Group
 850 Hudson Ave
 Rochester, NY 14621
 Phone: (585) 544-0450
 info@itaca-gauge.com
 www.itaca-gauge.com

Asia
 QVI Tempe
 1711 West 17th Street
 Tempe, AZ 85281
 Phone: (480) 295-3150
 info@itaca-gauge.com
 www.itaca-gauge.com

Europe
 ITACA Development Center
 Via Genova 23,
 10098 Rivoli (TO) - Italy
 Phone: +39 011 95 74 384
 info@itaca-gauge.com
 www.itaca-gauge.com

